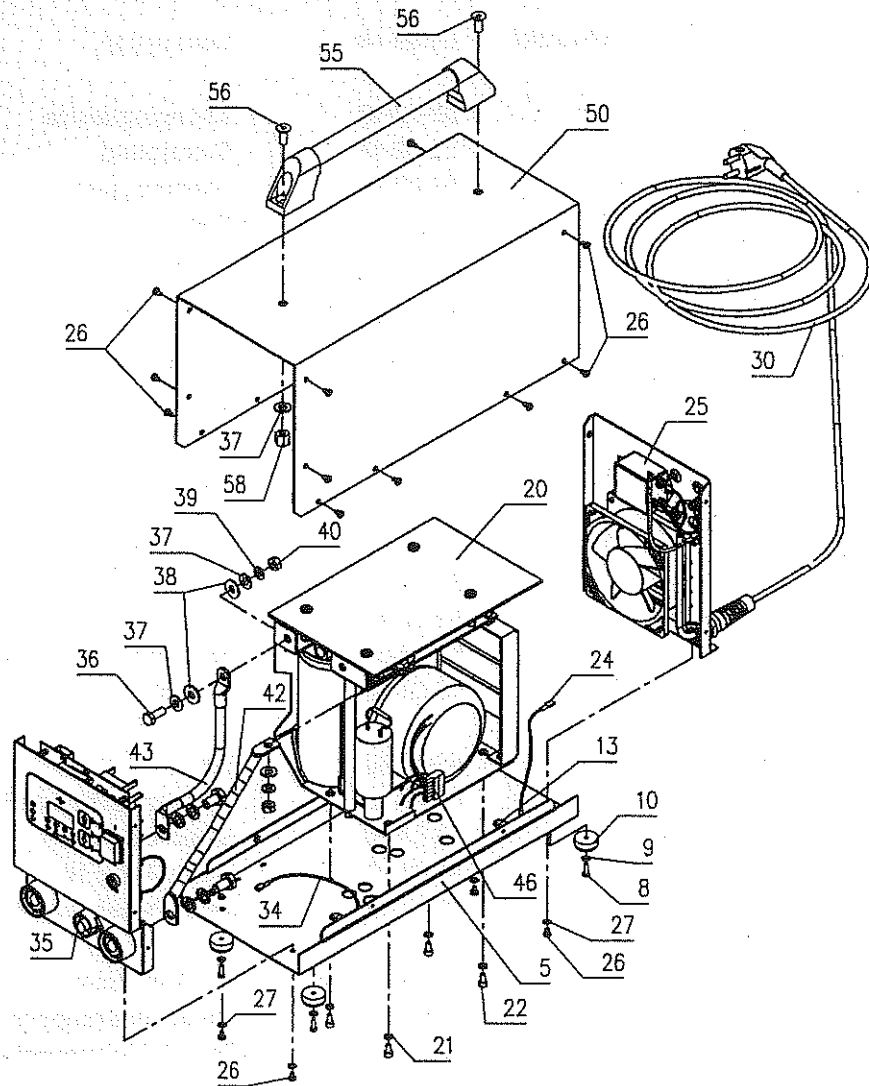


Power unit, type N 10 (51-43-16)

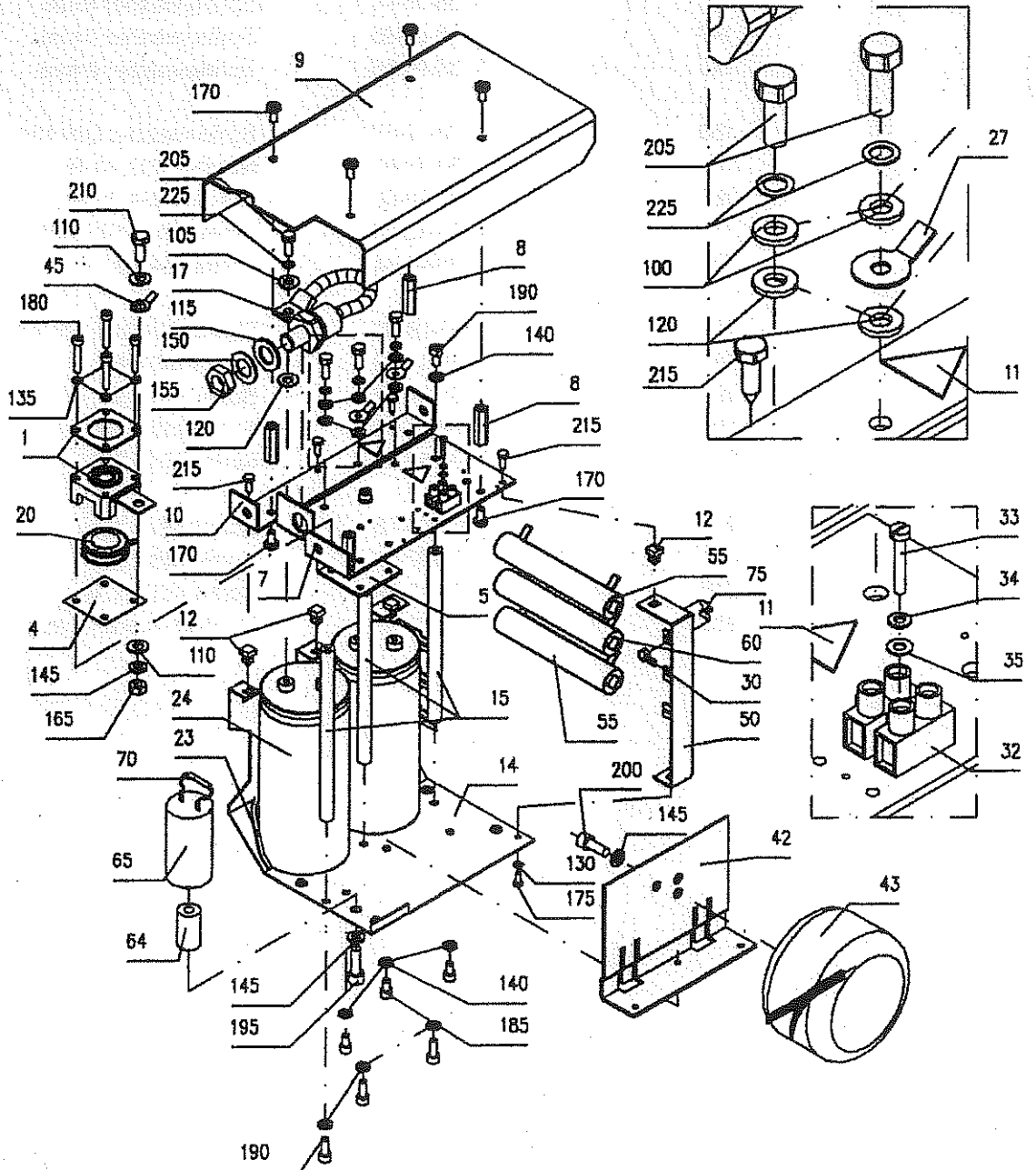


**Spare part list capacitor battery N 10 (52-03-97)**

| Pos. | Quantity | Order-No. | Description               |
|------|----------|-----------|---------------------------|
| 1    | 1        | 52-02-45  | Clamping device           |
| 4    | 1        | 52-02-43  | Cupal plate               |
| 5    | 1        | 52-02-42  | Clamping plate            |
| 7    | 1        | 52-04-07  | Negative bus bar          |
| 8    | 4        | 52-03-46  | Spacer M6                 |
| 9    | 1        | 52-03-43  | Cover                     |
| 10   | 1        | 52-04-08  | Positive bus bar          |
| 11   | 2        |           | Warning sign 2,5 SL       |
| 12   | 4        | 52-02-39  | Grommets support          |
| 14   | 1        | 52-02-27  | Capacitor support         |
| 15   | 3        | 52-02-29  | Distance piece            |
| 17   | 1        | 52-04-09  | Diode                     |
| 20   | 1        | 52-02-44  | Thyristor                 |
| 23   | 1        | 52-03-35  | Edge protection           |
| 24   | 2        | 52-02-28  | Capacitor                 |
| 27   | 2        | 52-02-49  | Tab                       |
| 30   | 1        | 52-04-10  | Temperature controller    |
| 32   | 1        | 52-02-06  | Screw clamp               |
| 33   | 1        | 38-03-32  | Screw M3 x 16             |
| 34   | 1        | 38-08-92  | Spring washer 3 mm        |
| 35   | 1        | 38-08-29  | Washer 3 mm               |
| 42   | 1        | 52-02-30  | Transformer support       |
| 43   | 1        | 52-02-31  | Toroidal core transformer |
| 45   | 1        | 52-03-32  | Tab                       |
| 50   | 1        | 52-02-38  | Resistor support          |
| 55   | 2        | 52-02-36  | Resistor 10 R, 70 W       |
| 60   | 1        | 52-02-37  | Resistor 3 R, 70 W        |
| 64   | 1        | 52-02-34  | Distance stud             |
| 65   | 1        | 52-02-33  | Capacitor                 |
| 70   | 1        | 52-02-35  | Resistor L                |
| 75   | 1        | 52-04-11  | Adhesive clip             |
| 100  | 3        | 38-08-31  | Washer 6 mm               |
| 105  | 1        | 38-11-43  | Washer 6 mm               |
| 110  | 2        | 38-08-26  | Washer 8 mm               |
| 115  | 1        | 38-09-03  | Washer 17 mm              |

|     |   |          |                        |
|-----|---|----------|------------------------|
| 120 | 4 | 52-03-31 | Cupal washer M 6       |
| 130 | 1 | 38-08-93 | Spring washer 4 mm     |
| 135 | 4 | 38-08-94 | Spring washer 5 mm     |
| 140 | 9 | 38-08-95 | Spring washer 6 mm     |
| 145 | 3 | 38-08-96 | Spring washer 8 mm     |
| 150 | 1 | 38-12-87 | Spring washer DIN 137  |
| 155 | 1 | 38-12-88 | Nut DIN 439, M 16      |
| 165 | 1 | 38-08-60 | Nut DIN 934, M 8       |
| 170 | 8 | 38-12-86 | Screw M6 x 12 PA66GF   |
| 175 | 1 | 38-04-44 | Screw M4 x 8           |
| 180 | 4 | 38-04-56 | Screw DIN 912, M5 x 35 |
| 185 | 3 | 38-11-09 | Screw M6 x 8           |
| 190 | 6 | 38-04-47 | Screw M6 x 16          |
| 195 | 1 | 38-04-93 | Screw M8 x 16          |
| 200 | 1 | 38-10-89 | Screw M8 x 25          |
| 205 | 4 | 38-09-78 | Screw M6 x 16          |
| 210 | 1 | 38-07-08 | Screw M8 x 20          |
| 215 | 4 | 38-12-89 | Screw M3,9 x 16        |
| 225 | 4 | 52-03-33 | Locking washer 6 mm    |

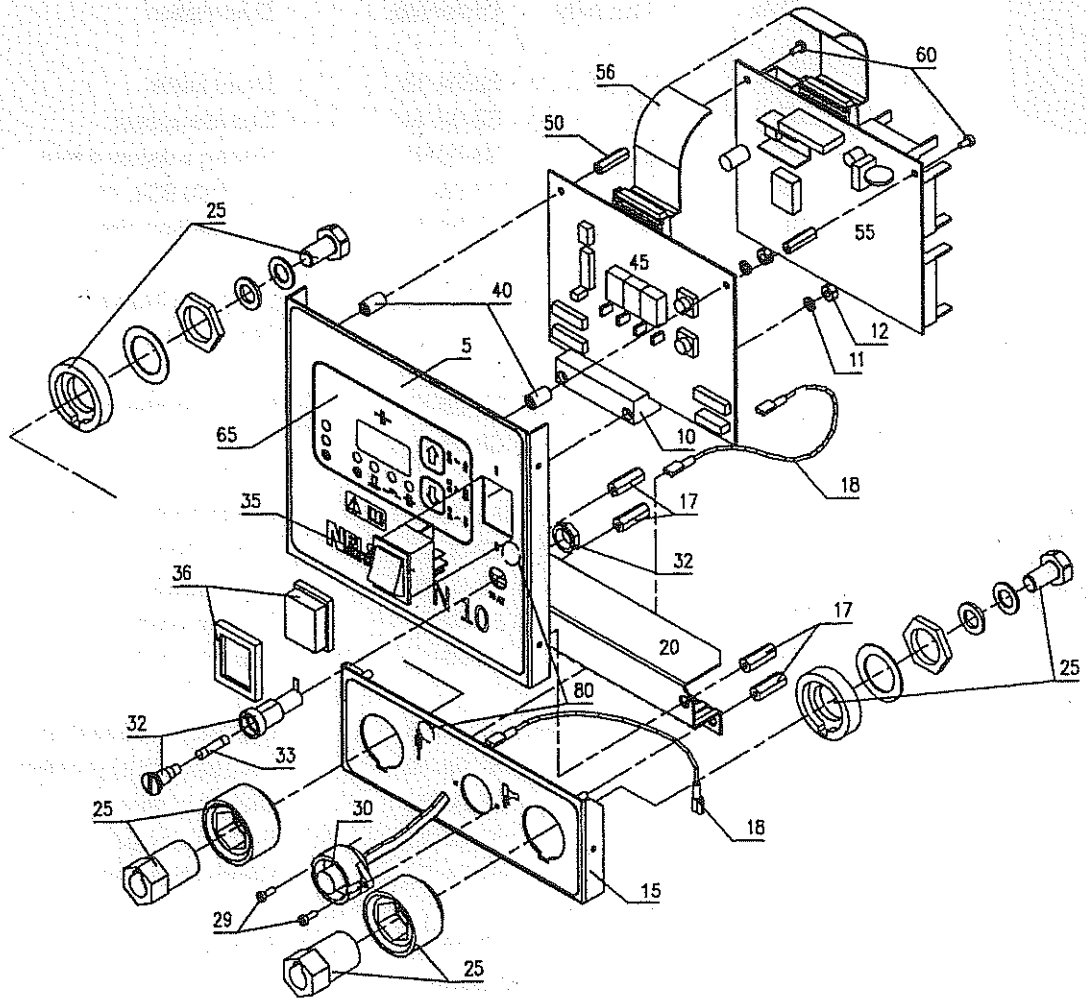
Capacitor battery N 10 (52-03-97)



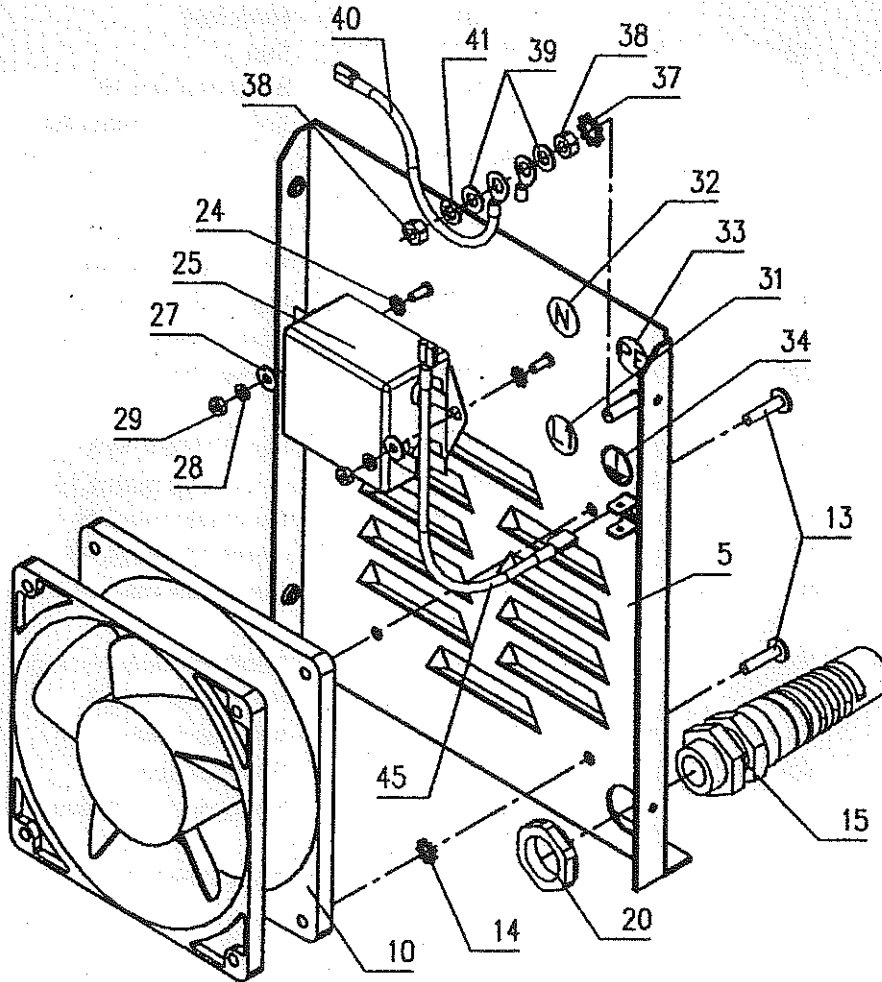
**Spare part list front plate complete N 10 (52-03-99)**

| Pos. | Quantity | Order No. | Description                |
|------|----------|-----------|----------------------------|
| 5    | 1        | 52-04-13  | Front plate                |
| 10   | 1        | 52-04-14  | Board support              |
| 11   | 2        | 38-08-93  | Spring washer 4 mm         |
| 12   | 2        | 38-08-71  | Nut DIN 934, M 4           |
| 15   | 1        | 52-04-15  | Connection plate           |
| 17   | 4        | 52-04-16  | Distance stud M4           |
| 18   | 1        |           | Ground cable               |
| 20   | 1        |           | Cover                      |
| 25   | 2        | 52-02-13  | Mounting sleeve            |
| 29   | 2        | 38-03-31  | Screw M3 x 8               |
| 30   | 1        | 52-04-17  | Control cable sleeve       |
| 32   | 1        | 52-02-22  | Fuse element               |
| 33   | 1        | 52-02-23  | Fine-wire fuse 10 AT       |
| 35   | 1        | 52-02-21  | Primary switch             |
| 36   | 1        | 52-03-59  | Dust protection cap        |
| 40   | 2        | 52-04-18  | Distance sleeve 8 x 13     |
| 45   | 1        | 52-04-19  | P.C. board CD processor    |
| 50   | 2        | 52-04-20  | Distance stud              |
| 55   | 1        | 52-04-21  | Electronic board CD supply |
| 56   | 1        | 52-04-22  | Connection cable           |
| 60   | 2        | 38-04-40  | Screw M3 x 6, DIN 912      |
| 65   | 1        | 52-04-23  | Front film                 |
| 80   | 2        | 52-03-62  | Conductor mark             |

Front plate complete N 10 (52-03-99)



Rear wall complete BS 308 (52-03-98)



**Spare part list rear wall complete BS 308 (52-03-98)**

| Pos. | Quantity | Order No. | Description               |
|------|----------|-----------|---------------------------|
| 5    | 1        | 52-04-12  | Rear wall                 |
| 10   | 1        | 52-02-05  | Fan                       |
| 13   | 4        | 38-11-40  | Blind rivet 4 x 16        |
| 14   | 1        | 38-11-38  | Tooth lock washer A4      |
| 15   | 1        | 52-02-09  | Screwed cable connection  |
| 20   | 1        | 52-02-10  | Nut Pg11                  |
| 24   | 2        | 52-03-63  | Tooth lock washer A3      |
| 25   | 1        | 52-03-58  | Mains interference filter |
| 27   | 2        | 38-08-29  | Washer 3 mm               |
| 28   | 2        | 38-08-92  | Spring washer 3 mm        |
| 29   | 2        | 38-09-37  | Nut DIN 934, M 3          |
| 31   | 1        | 52-03-42  | Conductor mark L1         |
| 32   | 1        | 52-03-41  | Conductor mark N          |
| 33   | 1        |           | Conductor mark PE         |
| 34   | 1        | 52-03-62  | Conductor mark SC         |
| 37   | 1        | 38-09-19  | Tooth lock washer A 5     |
| 38   | 2        | 38-08-61  | Nut DIN 934, M 5          |
| 39   | 2        | 38-12-90  | Washer 5 mm               |
| 40   | 1        |           | Ground cable              |
| 41   | 1        | 38-08-94  | Spring washer 5 mm        |
| 45   | 1        |           | Ground cable              |