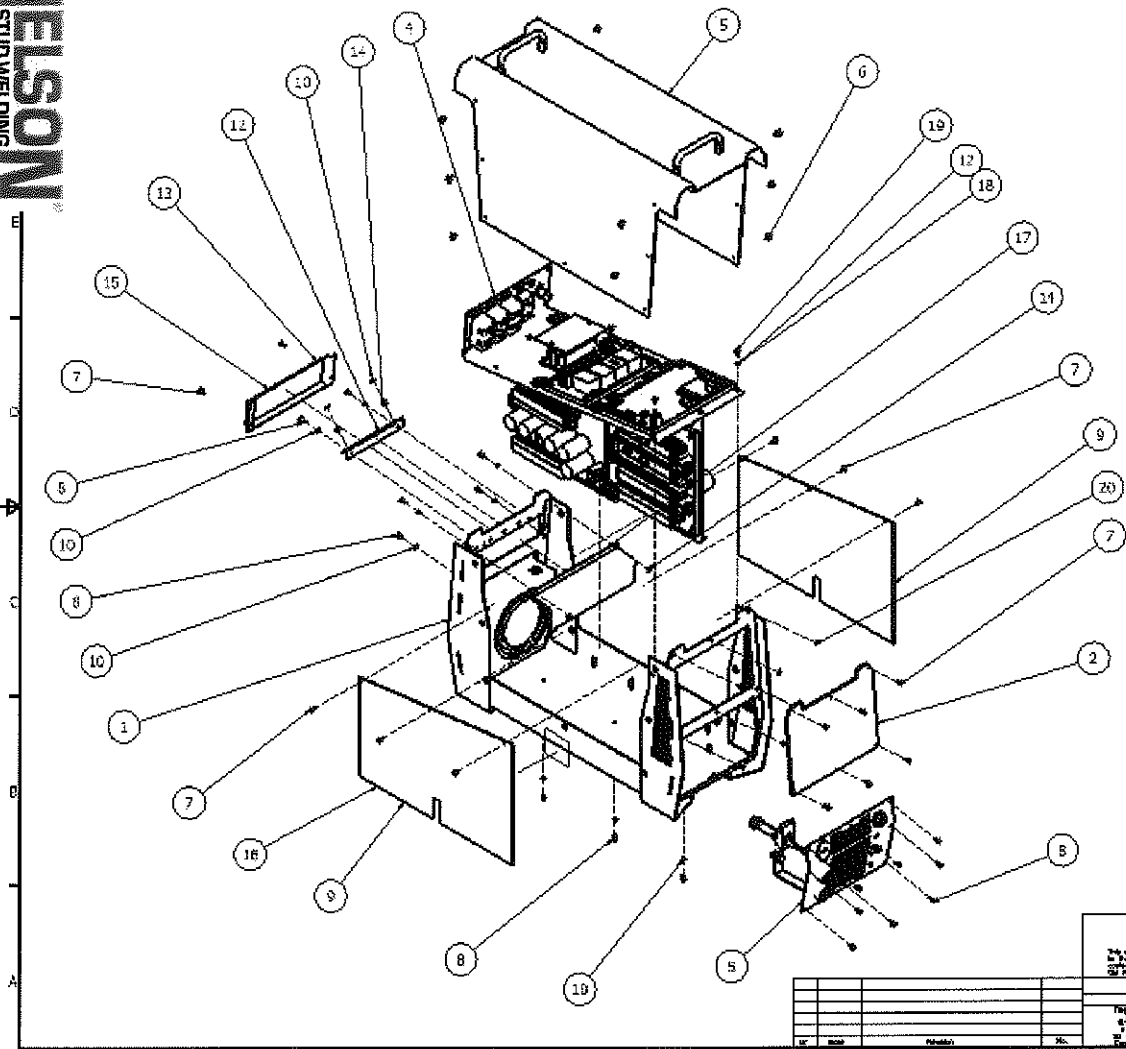


**NELSON**  
STUD WELDING

750610510



ITEM	PART NUMBER	QTY	DESCRIPTION
1	750-610-404	1	C-ASIS SUB ASM
2	750-610-080	1	USER INTERFACE PCB ASM
3	750-610-403	1	FRONT PANEL ASM
4	750-610-406	1	POWER MODULE SUB ASM
5	750-610-405	1	COVER SUB ASM
6	524-005-206	14	SCREW,M6-1 HWHMS
7	524-005-155	12	SCREW,M4x0.7x12 PHCRYS
8	524-005-124	17	SCREW,M5x0.5x12 PHCRYS
9	750-610-225	2	LEXAN PANEL
10	524-005-258	9	WASHER, LOCK,M5
11	524-005-120	2	WASHER, FLAT,M4
12	750-610-229	1	HINGE RECONNECT HOOD
13	750-610-228	1	HOOD RECONNECT SWITCHES
14	524-005-132	4	NUT, HEX,M5
15	724-572-002	1	DECAL GENERAL WARNING
16	724-572-005	2	ILLUSTRATED DANGER LABEL
17	750-610-239	1	COVER, RECONNECT SWITCH
18	524-005-121	2	WASHER, LOCK,M4
19	524-001-285	2	SCREW, 8-18 PHCRTHF
20	524-001-308	6	WASHER, RETAINING, PLASTIC

**NELSON**

*See drawing for the location of critical fasteners. Critical fasteners are those that are critical to the function of the assembly. Critical fasteners are identified by a star symbol in the drawing.*

DO NOT SCALE THE DRAWING.

Project No. 750610510	Rev. 1	Drawn By: A.J.Z.	Scale: 1:1
Product No. 750610510	Rev. 1	Check By: A.J.Z.	Scale: 1:1
Part No. 750610510	Rev. 1	App. By: A.J.Z.	Scale: 1:1
Part No. 750610510	Rev. 1	App. By: A.J.Z.	Scale: 1:1

**FINAL ASSEMBLY  
NELWELD 1500i**

Part No. 750610510

8.1 Maintenance D-1

Nelweld 1500i Users Manual