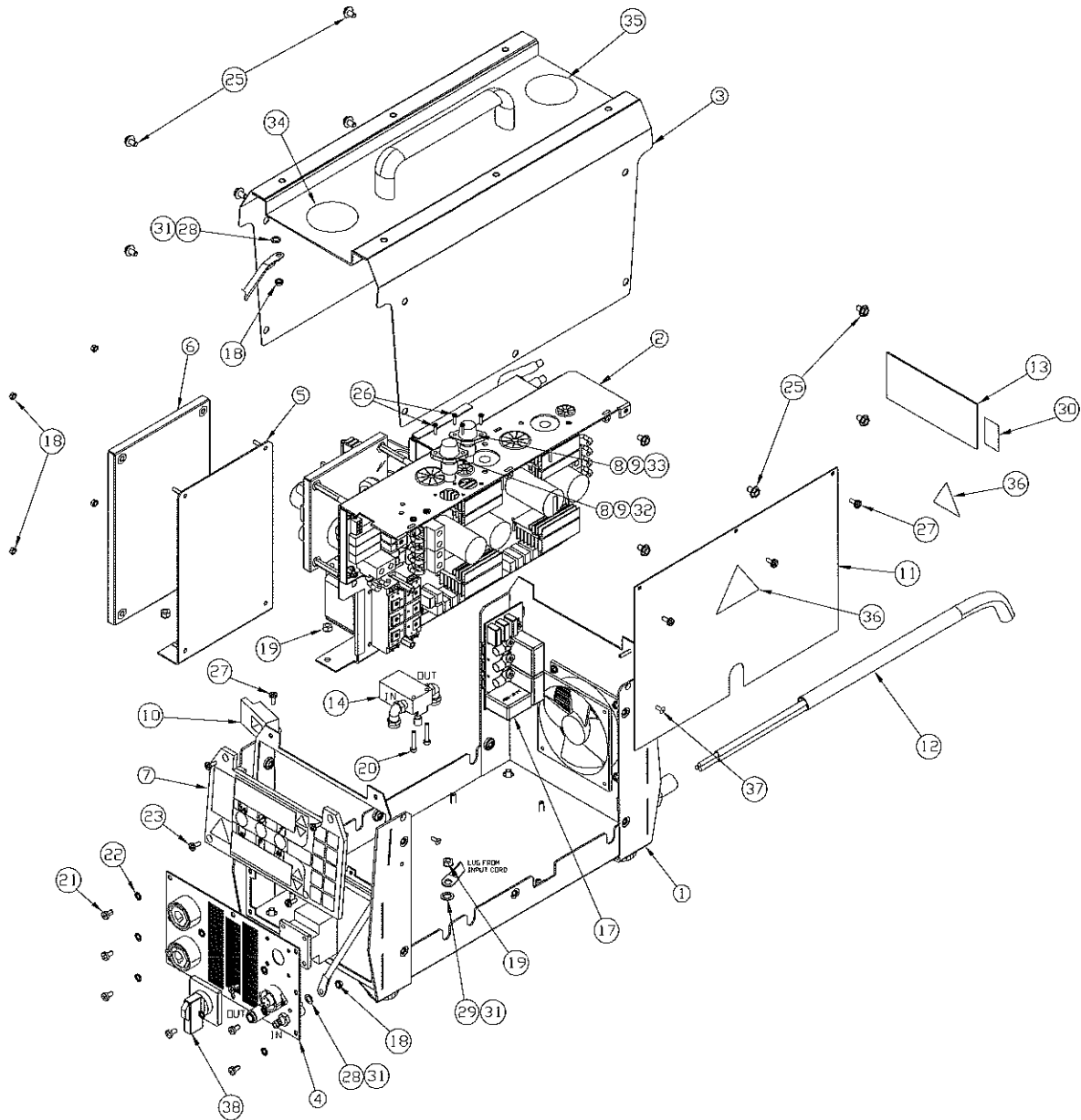


9. Drawings and parts lists

9.1 Explosion drawing Final Assembly N800i



9.1.1 Parts List Final Assembly N800i

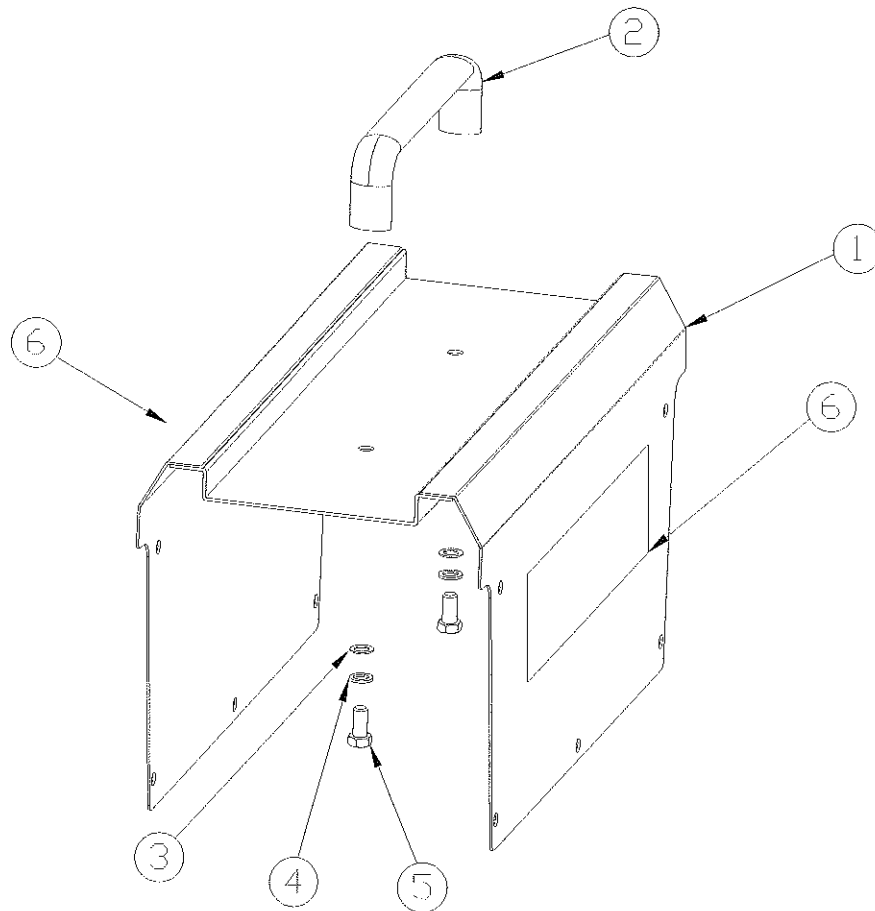
Item	QTY	Part Number	Comment	Description
1	1	750-611-404		CHASSIS SUBASSEMBLY
2	1	750-611-401		VERTICAL PANEL SUBASSEMBLY
3	1	750-611-405		COVER SUBASSEMBLY
4	1	750-611-403		FRONT PANEL SUBASSEMBLY
5	1	750-611-205		BRACKET, CONTROL BOARD MOUNTING
6	1	750-610-072		CONTROL BOARD ASSEMBLY
7	1	750-611-081		DISPLAY/USER INTERFACE PCB
8	2	708-143-003		FUSE HOLDER
9	2	715-039-001		FUSE, 1.5A, 600V
10	1	700-142-003		CURRENT TRANSFORMER (LEM)
11	1	750-611-225		INSULATOR PANEL, LEXAN
12	1	66-08-99		INPUT CABLE
13	1	724-574-007		RATINGS PLATE
14	1	723-242-031		GAS VALVE AND HARNESS ASSEMBLY
17	1	66-09-00		CE FILTER PCB ASSEMBLY
18	6	524-005-210		M4 KEPS NUT, SS (CONTROL PCB/COVER GROUND/FRONT PANEL GROUND MOUNTING)
19	5	524-005-273		M6 KEPS NUT, SS (VERTICAL PANEL/CONTROL BD BRACKET/INPUT CABLE GROUND MOUNTING)
20	2	524-005-278		M4x25 SHCS, SS (VALVE MOUNTING)
21	8	524-005-124		M5x12 PHCRMS, SS (CONNECTOR PANEL MOUNTING)
22	8	524-005-256		M5 LOCK WASHER, SS (CONNECTOR PANEL MOUNTING)
23	4	524-005-283		M4x6 PHMS, SS (USER INTERFACE MOUNTING)
25	10	524-005-206		M6x16 HWHMS, SS (COVER MOUNTING)
26	4	524-005-271		M3x12 PHCRMS, SS (FUSE HOLDER MOUNTING)
27	4	524-005-279		M4x16 PHMS, SS (LEM/INSULATOR PANEL MOUNTING)
28	2	524-005-010		M4 INTERNAL TOOTH WASHER (CHASSIS GROUND/COVER GROUND MOUNTING)
29	1	524-005-285		M6 INTERNAL TOOTH WASHER (INPUT CABLE GROUND MOUNTING)
30	1	724-569-013		LABEL, TRASH CAN, CE
31	4	724-485-010		LABEL, ELECTRICAL GROUND
32	1	724-485-013		LABEL, FUSE, "F1"
33	1	724-485-014		LABEL, FUSE, "F2"
34	1	87-09-35		LABEL, CARDIAC PACEMAKER

Item	QTY	Part Number	Comment	Description
35	1	87-05-19		LABEL, POWER PLUG
36	2	87-07-86		LABEL, HIGH VOLTAGE, YELLOW TRIANGLE
37	2	524-005-286		SCREW, M4x10 FHCS, SS
38	1	709-256-014		ROTARY SWITCH, POWER, 32A
NS	1	716-050-002		FERRITE CORE, TOROID
NS	24 in	103-450-156		TUBING
NS	1	723-245-004		HARNES, CONTROL TO LEM TRANSDUCER
NS	1	716-050-102		FERRITE CORE, CLAMP ON
NS	1	723-245-042		HARNES, MAIN SW, 3 PHASE BRIDGE, INPUT BOARD
NS	1	716-050-003		FERRITE CORE, TOROID, GROUND LEAD
NS	1	716-050-101		FERRITE CORE, CLAMP-ON, 9mm, CONTROL BD TO DISPLAY BD

Comment:

Sp = Spare part; **Stp** = Standard part; **W** = Wearing part;
Ssp = Stud-specific part; **NS** = Not shown

9.2 Cover Assembly



+ TORQUE NUT TO 4 N-M (35-40 IN-Lbs)

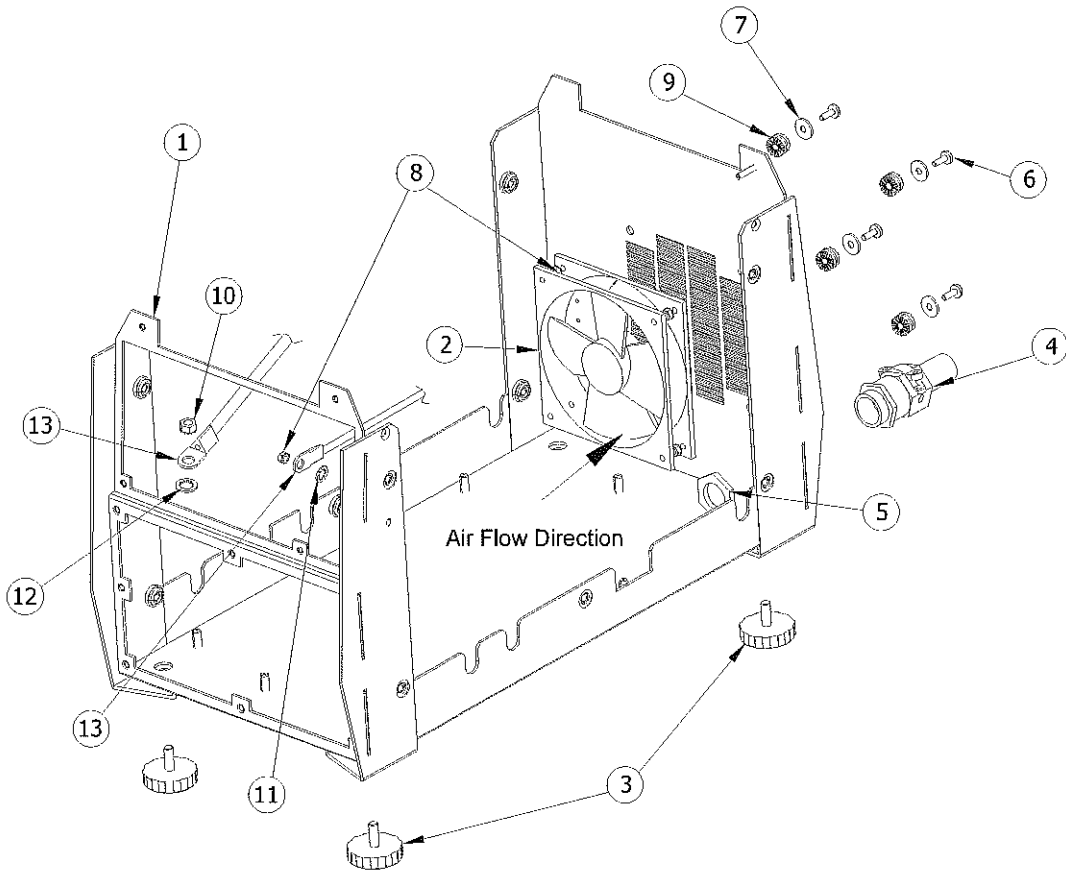
9.2.1 Parts list cover assembly

Item	QTY	Part Number	Comment	Description
1	1	750-611-204		COVER
2	1	729-114-200		HANDLE
3	2	524-001-310		WASHER, FLAT, 3/8", SS
4	2	524-001-323		WASHER, LOCK, 3/8", SS
5	2	524-001-322		3/8-24 x 3/4 HHCS, SS
6	2	724-569-004		DECAL, NELSON

Comment:

Sp = Spare part; **Stp** = Standard part; **W** = wearing part;
Ssp = Stud-specific part

9.3 Chassis Sub ASM



Note!

Rotate strain relief 30 degrees clockwise to have access to the screws.

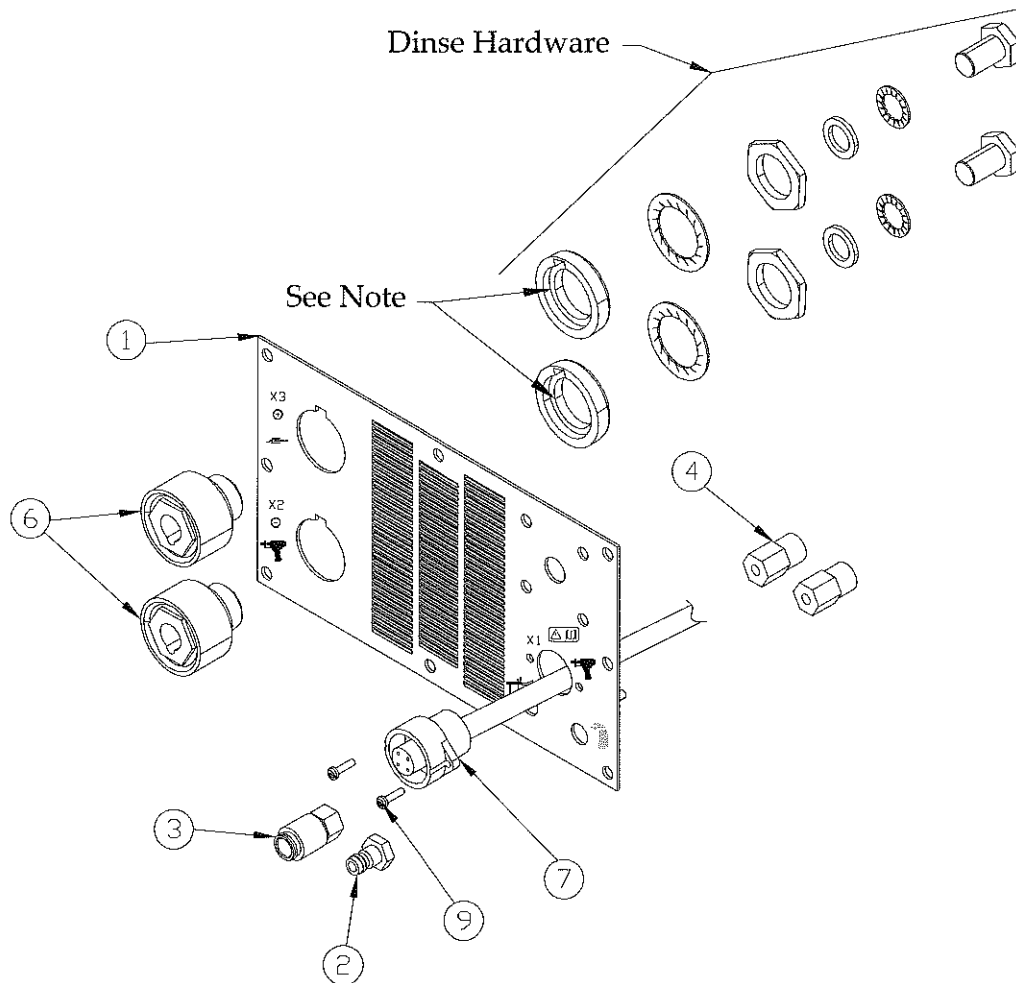
9.3.1 Parts list chassis sub ASM

Item	QTY	Part Number	Comment	Description
1	1	750-611-221		CHASSIS WELDMENT
2	1	750-611-407		FAN SUB ASSEMBLY
3	4	729-022-008		FOOT
4	1	714-074-010		CABLE GLAND
5	1	714-074-011		CABLE GLAND NUT
6	4	524-005-279		M4x16 PHMS, SS (FAN MOUNTING)
7	4	524-005-284		M4 FENDER WASHER, SS (FAN MOUNTING)
8	5	524-005-210		M4 KEPS NUT, SS (FAN/CHASSIS GROUND MOUNTING)
9	4	717-140-010		GROMMET, RUBBER (FAN MOUNTING)
10	1	524-005-273		M6 KEPS NUT (CHASSIS GROUND MOUNTING)
11	1	524-005-010		M4 INTERNAL TOOTH WASHER (CHASSIS GROUND MOUNTING)
12	1	524-005-285		M6 INTERNAL TOOTH WASHER (CHASSIS GROUND MOUNTING)
13	1	723-245-040		HARNESS, CHASSIS GROUND

Comment:

Sp = Spare part; **Stp** = Standard part; **W** = Wearing part;
Ssp = Stud-specific part; **NS** = Not shown

9.4 Front panel assembly



Note!

GREASE CONNECTORS BY FILLING GROOVE OF REAR CAP WITH NYOGEL 760G (OR EQUIVALENT), SILICONE FREE GREASE BEFORE ASSEMBLING.

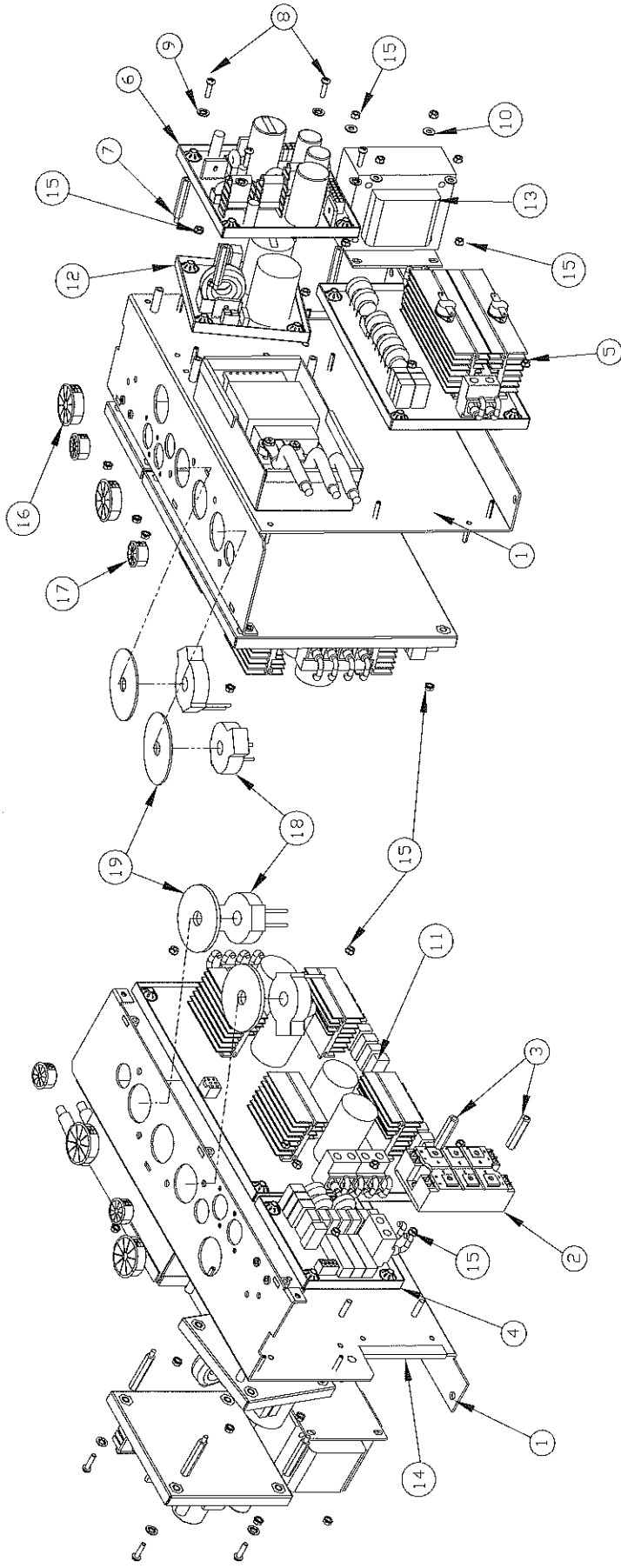
9.4.1 Parts list Front panel assembly

Item	QTY	Part Number	Comment	Description
1	1	750-611-243		FRONT CONNECTOR PANEL
2	1	520-001-251		COUPLING, QUICK PLUG
3	1	520-001-252		COUPLING, QUICK SOCKET
4	2	520-001-320		FITTING, FEMALE, M6 TUBING x G1/8
6	2	85-10-02		DINSE, FEMALE (M10 SCREW)
7	1	723-245-041		HRNS TRIGGER CONNECTOR (4 WIRE BINDER)
8	1	714-232-003		COVER, CONNNECTOR, BINDER
9	2	524-005-271		SCREW, M3x12 PHCRMS, SS (TRIGGER HARNESS MTG)
NS	1	723-242-015		HRNS OUTPUT BD TO WORK DINSE (+)
NS	1	723-242-039		HRNS OUTPUT FILTER CAPACITOR ASM

Comment:

Sp = Spare part; **Stp** = Standard part; **W** = Wearing part;
Ssp = Stud-specific part; **NS** = Not shown

9.5 Vertical panel assembly



Primary Side

Secondary Side

9.5.1 Parts list Vertical panel assembly

Item	QTY	Part Number	Comment	Description
1	1	750-611-402		VERTICAL/TRANSFORMER ASSEMBLY
2	1	701-175-000		3 PHASE BRIDGE RECT.
3	2	729-114-201		M5x35 HEX SPACER, FEMALE/FEMALE (BRIDGE MOUNTING)
4	1	750-611-021		INPUT PCB ASSEMBLY
5	1	750-611-031		OUTPUT PCB ASSEMBLY
7	4	729-114-202		M4x40 HEX SPACER, MALE/FEMALE (POWER BD MOUNTING)
8	4	524-005-279		M4x16 PHMS, SS (POWER BOARD MOUNTING)
9	4	524-005-010		M4 LOCK WASHER, SS (POWER BOARD MOUNTING)
10	4	524-005-120		M4 FLAT WASHER, SS (AUX TRANSFORMER MOUNTING)
11	1	750-611-051		SWITCHING PCB ASSEMBLY
12	1	750-610-062		PILOT ARC PCB ASSEMBLY
13	1	723-245-007		AUXILIARY TRANSFORMER ASSEMBLY
14	4 in	727-029-212		EDGE GUARD
15	20	524-005-210		M4 KEPS NUT, SS (PCB, AUX TRANSFORMER MOUNTING)
16	2	714-028-002		CABLE GROMMET, LARGE
17	2	714-028-001		CABLE GROMMET, SMALL
18	1	723-242-021		CURRENT TRANSFORMER SUB ASM
19	2	524-001-340		WASHER, RUBBER (CT MOUNTING)
NS	1	723-242-025		HARNESS, OUTPUT RECT TO CONTROL
NS	1	723-245-002		HARNESS, CONTROL TO INPUT, SWITCH, CTs, & PILOT
NS	1	723-245-003		HARNESS, CONTROL TO DISPLAY
NS	4	717-615-101		TY-WRAP (CT MOUNTING)
NS	1	723-245-009		HARNESS, 3 PHASE BRIDGE (+) TO INPUT (DC IN)
NS	1	723-245-011		HARNESS, 3 PHASE BRIDGE (-) TO SWITCH (B IN(-))
NS	1	723-245-037		HARNESS, INPUT (DC OUT) TO SW (A IN (+))
NS	1	723-245-038		HARNESS, SWITCH (A IN (-)) TO SWITCH (B IN (+))
NS	1	723-245-001		HARNESS, POWER SUPPLY CONTROL TO FAN
NS	12 in	727-029-214		SLEEVING, FIBERGLASS (MAIN XEMR, PRIMARY LEADS)

Sp = Spare part; **Stp** = Standard part; **W** = Wearing part;
Ssp = Stud-specific part; **NS** = Not shown