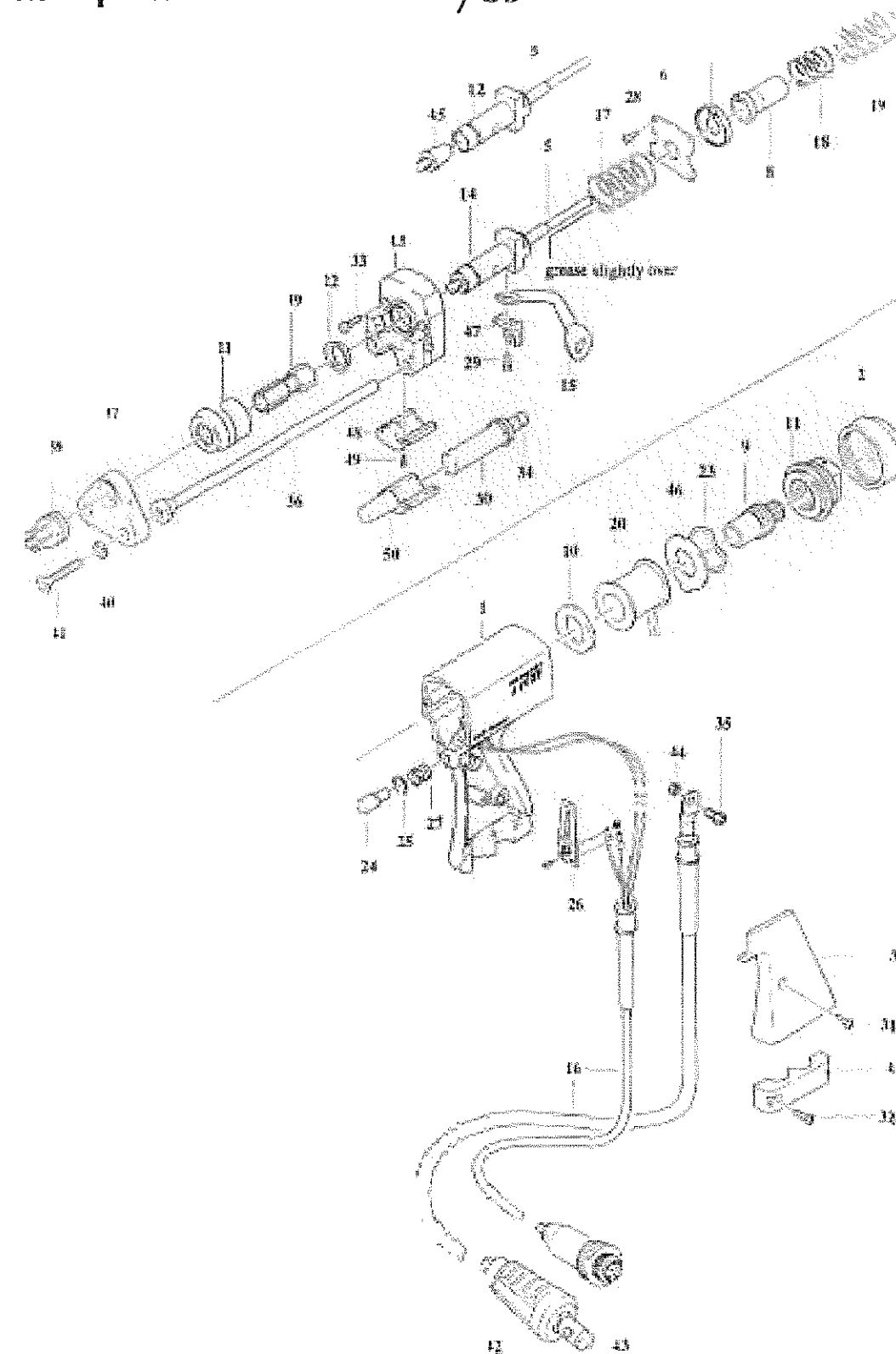


5.5 Spare parts list for the NS 40 B-1 / B3

Item	Description	Order-No.
1	Gun body	92-06-88
2	Protective cap	92-02-13
3	Handle cover	92-06-95
4	Cable clip	92-06-91
5	Gun shaft	35-29-04
6	Lifting ring stop	35-29-05
7	Lifting ring	35-29-06
8	Guide sleeve	35-29-07
9	Adjustment core	92-04-85
10	Coil yoke washer	35-29-09
11	Lock nut	92-01-92
12	Stud holder mounting for taper	92-01-84
13	Cover plate	92-04-05
14	Stud holder mounting for threaded journal	92-02-39
15	Welding wire	86-51-31
16	Cable set 5m (with welding cable plug DI X50 and control cable plug)	67-02-28
17	Main pressure spring	35-29-12
18	Pressure spring - guide sleeve	35-29-13
19	Pressure spring - lifting ring	35-29-14
20	Gun coil	85-80-05
21	Rubber bellows	92-02-34
22	Guide bush	35-23-11
23	Spring washer	35-29-15
24	Switch knob	92-02-35
25	Locking washer DIN 6799-8	38-09-25
26	Starting contact	85-00-49
27	Pressure spring	87-05-23
28	Cylindrical screw M 3.5 x 8 DIN 84	38-04-24
29	Hydraulic cylinder M 4 x 10 DIN 7984	38-04-28
30	Hydraulic cylinder (optional)	35-30-03
31	Cheeshead screw M 5 x 10 DIN 964	38-02-16
32	Cheeshead screw M 5 x 25 DIN 964	38-02-13
33	Cylindrical screw M 5 x 16 DIN 912	38-04-29
34	Cam (optional)	35-30-05
35	Cylindrical screw M 6 x 15 DIN 7984	38-04-27
36	Column (see accessories catalogue)	.. *
37	Foot plate (see accessories catalogue)	.. *
38	Ceramic ferrule holder (see accessories catalogue)	.. *
39	Stud holder (siehe Zubehör-Katalog)	.. *
40	Washer	35-23-66
41	Countersunk screw M 5 x 35 DIN 7991	38-05-20
42	Welding cable plug DIX 50	85-10-07
43	Control cable plug	85-12-17
44	Nut M 6	38-08-55
45	Connector (taper)	39-05-00
46	Coil insulation washer	35-15-28
47	Claw	35-30-02
48	Sealing cap	35-30-01
49	Cylindrical screw M 4 x 10 DIN 7984	38-04-28
50	Protective cap for hydraulic cylinder (optional)	35-30-04

5.6 Exploded view of the NS 40 B-1 / B3



* Spare parts marked "*" are shown in the accessories catalogue (order No. LFZ 000).