

## PSE 101 — Stud Welding Gun

### Particular features:

- Automatic feeding of the welding studs.
- Suitable for all welding studs used in the automotive industry.
- Modular design; robust and service-friendly structure.
- Effortless handling of the welding gun thanks to a possible connection to a stabilizer. Horizontal or vertical suspension.
- Servo-electric drive with digital control.
- Freely adjustable lift-off dimensions (programmable via the user panel of the welding machine).
- Constant lift-off, even when welding on a concave or convex surface.
- Monitoring the angular position. Welding the studs perpendicularly to the base, with LED indicator.
- LED indicator for suspect **Not-In-Order (NIO)** weld recognition of the process monitoring system.
- Easy program selection via switch for up to 10 welding programs (parameter presets).
- Optionally, welding with inert gas.

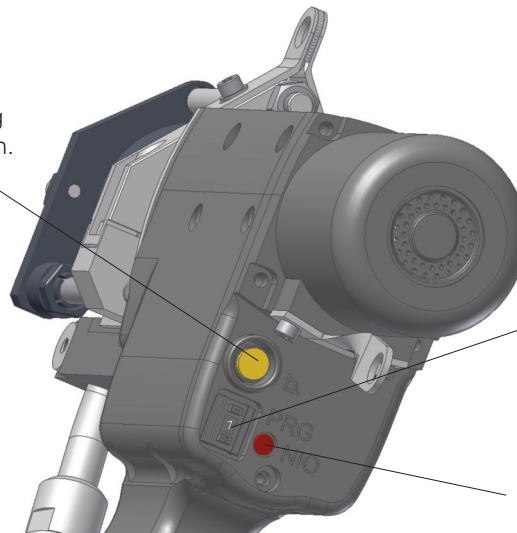
PSE 101

## Technical Data PSE 101

PSE 101

<b>Welding method:</b>	Short-cycle drawn-arc	<b>Noise emission:</b>	Continuous sound level (Lp A eq.): 79 dB
<b>Welding position:</b>	all	<b>Operating pressure:</b>	5.5 bar - 6.0 bar
<b>Control voltages:</b>	24VDC (± 10%) 90VDC (±10%)	<b>Air consumption:</b>	See 'Technical data' of the feeder
<b>Protective rating:</b>	IP 40	<b>Relative humidity:</b>	10% ... 85%, non-condensing
<b>Operating temperature:</b>	- 0°C to + 50°C	<b>Welding sequence:</b>	10 ... 40 studs/min. depending on type
<b>Storage temperature:</b>	10°C to + 70°C	<b>Weight:</b>	3.2/9.2kg (without/with tubing set)

Button for reloading studs manually.  
With yellow LED indicating the correct angular position.



Switch for program selection.  
In conjunction with a welding machine N3/N4 and an FSE feeder.

LED indicator (red) for NIO recognition.

### Germany

(European Headquarters)

**Nelson**  
**Bolzschweiß-Technik GmbH & Co. KG**

Postfach 4020, D-58272 Gevelsberg  
Flurstraße 7-19, D-58285 Gevelsberg  
Telefon: 02332.661-0  
Telefax: 02332.661-135  
eMail: info@nelson-europe.de  
www.nelson-europe.de



### Great Britain

**Nelson**  
**Stud Welding UK**

47-49, Edison Road  
Rabans Lane Industrial Estate  
Aylesbury, Bucks, HP19 8TE  
United Kingdom  
Telephone: 01296.433500  
Telefax: 01296.487930

### France

**Nelson**  
**Soudage de Goujons France S.A.S**

Z.I. du chemin Vert  
8, rue de l'Angoumois  
F-95100 Argenteuil  
France  
Téléphone: 01.34 11-94 00  
Téléfax: 01.34 11-20 33

### Italia

**Nelson**  
**Bolzschweiß-Technik GmbH & Co. KG**

Via Miraflores 20  
I-10042 Nichelino/Torino  
Italia  
Telefono: 011.6059238  
Telefax: 011.6050015

### USA Nelson Stud Welding, Inc.

7900 West Ridge Road · P.O. Box 1019 · Elyria · OH 44036-2019, USA · Phone: 440.329-0400 · Telefax: 440.329-0597 · www.nelsonstud.com